

DIAPHRAGM PUMP

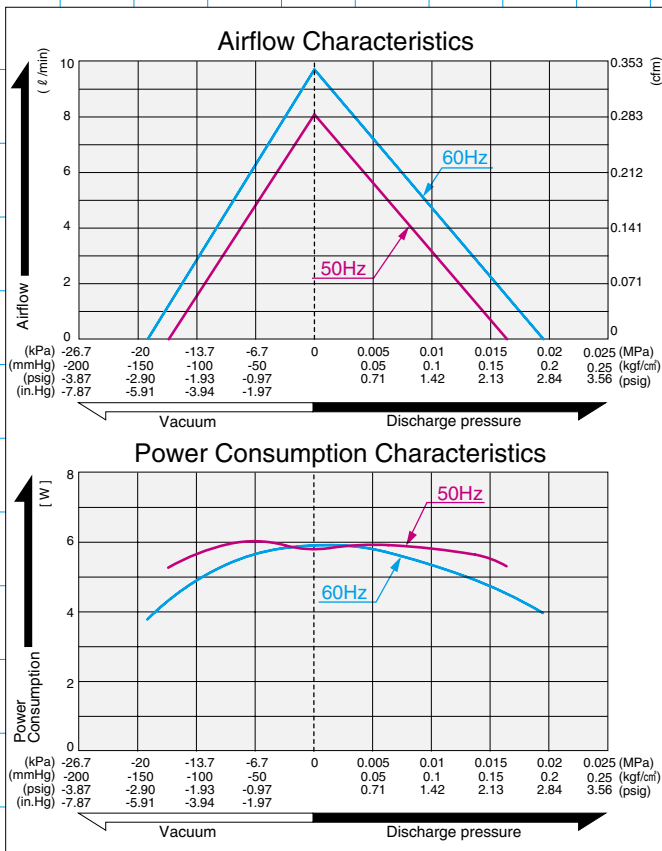
DIAPHRAGM PUMP



vc0100 Dual Type

Airflow & Power Consumption

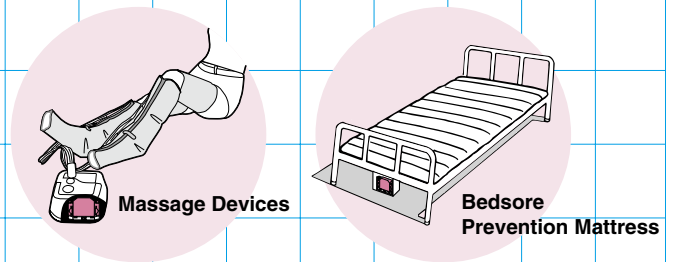
Specifications



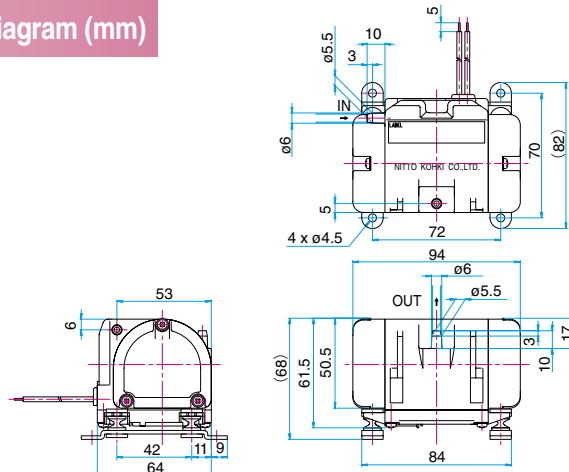
| | (SI) | (EURO) | (U.S.A.) |
|------------------------|--|------------------------|---------------------------|
| Rated Pressure | 0.004 MPa {0.04 kgf/cm ² } | 0.04 bar | 0.57 psig |
| Rated Airflow | 6 l /min | | 0.21 cfm |
| Rated Voltage | 120 V AC or 230 V AC | | |
| Maximum Pressure | 0.016 MPa {0.16 kgf/cm ² } | 0.16 bar | 2.28 psig |
| Maximum Vacuum | -14.7 kPa {-110 mmHg} | -147 mbar | -4.33 in.Hg |
| Power Consumption | 6 W | | |
| Rated Frequency | 60 Hz or 50 Hz | | |
| Life Expectancy | 5,000 hours | | |
| Working Pressure Range | -14.7 kPa~0.016 MPa {-110 mmHg~0.16 kgf/cm ² } | -147 mbar~ 0.16 bar | -4.33 in.Hg~ 2.28 psig |
| Outlet (or Inlet) | 6 mm O.D. hose nipple | | |
| Duty Cycle | Continuous | | |
| Coil Insulation Class | E for 230V & A for 120V or its equivalent | | |
| Mounting Dimensions | 70 (L) x 72 (W) mm | 2-3/4"(L)x2-27/32"(W) | |
| Gross Weight | 0.45 kg | | 0.99 Lbs. |
| Leadwire Length | 300 mm | | 11-13/16" |

Please read the page of "How to Use This Catalog" first for correct use of compressors and pumps.

Application Examples



Sketch Drawing and Mounting Dimensions Diagram (mm)



DIAPHRAGM PUMP

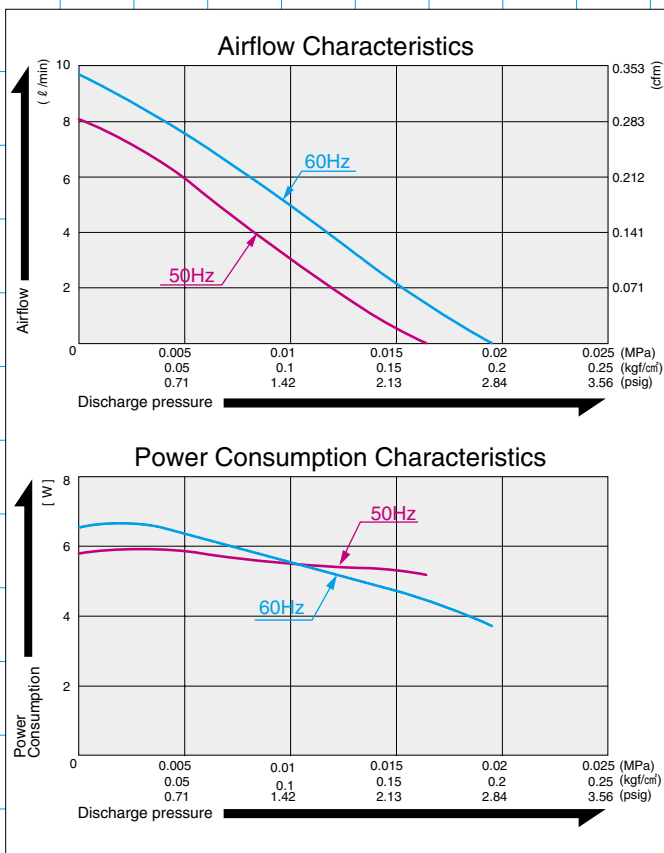
DIAPHRAGM PUMP



vc0100 Blower Type

Airflow & Power Consumption

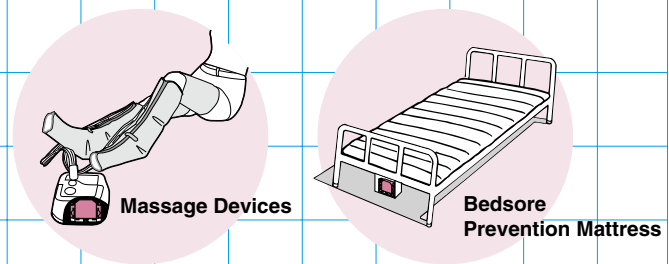
Specifications



| | (SI) | (EURO) | (U.S.A.) |
|------------------------|---|--------------------------|-------------|
| Rated Pressure | 0.004 MPa {0.04 kgf/cm ² } | 0.04 bar | 0.57 psig |
| Rated Airflow | 6 l/min | | 0.21 cfm |
| Rated Voltage | 120 V AC or 230 V AC | | |
| Maximum Pressure | 0.016 MPa {0.16 kgf/cm ² } | 0.16 bar | 2.28 psig |
| Power Consumption | 6 W | | |
| Rated Frequency | 60 Hz or 50 Hz | | |
| Life Expectancy | 10,000 hours | | |
| Working Pressure Range | 0~0.016 MPa {0~0.16 kgf/cm ² } | 0~0.16 bar | 0~2.28 psig |
| Outlet (or Inlet) | 6 mm O.D. hose nipple | | |
| Duty Cycle | Continuous | | |
| Coil Insulation Class | E for 230V & A for 120V or its equivalent | | |
| Mounting Dimensions | 70 (L) x 72 (W) mm | 2-3/4" (L) x 2-7/32" (W) | |
| Gross Weight | 0.45 kg | | 0.99 Lbs. |
| Leadwire Length | 300 mm | | 11-13/16" |

Please read the page of "How to Use This Catalog" first for correct use of compressors and pumps.

Application Examples



Sketch Drawing and Mounting Dimensions Diagram (mm)

